



HYDRAULIC TORQUE  
WRENCH SYSTEMS

# RUFNEX<sup>®</sup> SERIES

ULTRA - LOW PROFILE TORQUE WRENCHES

The RUFNEX<sup>®</sup> Extra Low Clearance Torque Wrench are essential for limited clearance applications. The RUFNEX<sup>®</sup> Series has the same specifications as the Hexpro Series, plus;

- Reduced Width
- Reduced Radius
- Fits into Tight Locations
- No Special Powerhead Needed. Standard 4HP Will Operate This Ratchet Link.



**1.844.826.5846**

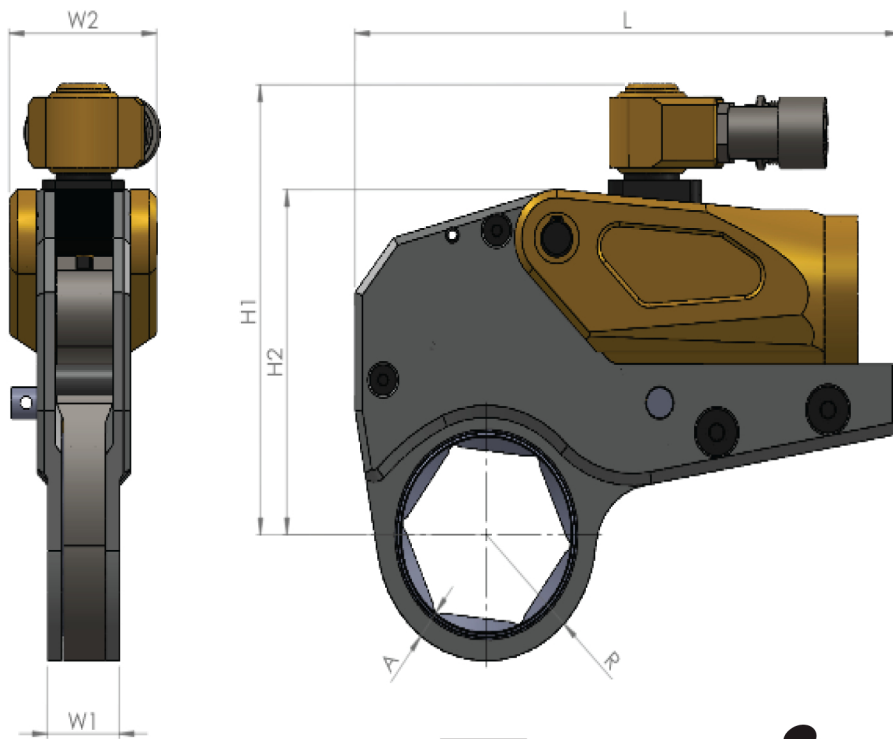
**TorsionX.com**

# SPECIFICATIONS

Revised July 2017

## **RUFNEX** SERIES ULTRA - LOW PROFILE TORQUE WRENCHES

Model	4RN-203	4RN-206	4RN-209
Nut Size (A.F.)	2.3/16"/55mm	2.3/8"/60mm	2.9/16"/65mm
Power Head (lbs)	4.4	4.4	4.4
Ratchet Link (lbs)	8	8	8
L (inch)	9.65	9.65	9.65
H1 (inch)	6.97	6.97	6.97
H2 (inch)	5.34	5.34	5.34
W1 (inch)	1.25	1.25	1.25
W2 (inch)	2.6	2.6	2.6
A (inch)	0.412	0.418	0.454
R (inch)	1.685	1.796	1.95



**Torsion**<sup>®</sup>  
EXTREME BOLTING FORCE

**1.844.826.5846**

**Torsion**<sup>®</sup>.com